

EP580 series HD PTZ Camera

Full HD, Wide View Angle, Multiple Video Interfaces. Multiple protocols, Multiple Lens

This series camera has perfect functions, superior performance and rich video output interfaces; Featuring with advanced ISP processing algorithms, offering vivid and high resolution video with a strong sense of depth and fantastic color rendition. It supports H.264/H.265 encoding which makes motion video more fluent and clear under low bandwidth conditions.

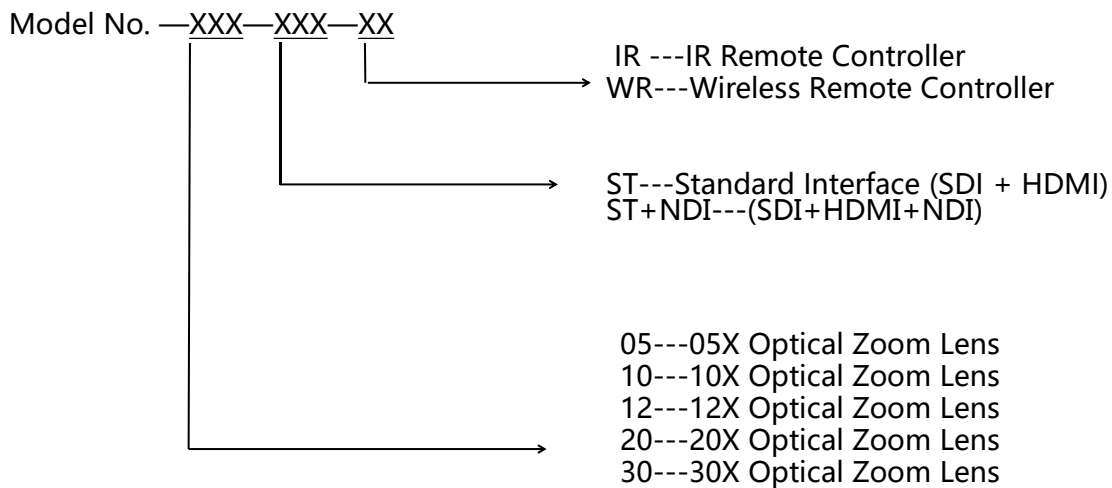


Main Features

- **Full HD Resolution:** 1/2.8 inch high quality CMOS sensor. Resolution is up to 1920x1080 with frame rate up to 60fps.
- **Multiple Optical Zoom Lens:** 5X/10X/12X/20X/30X optical zoom lens. The 5X zoom camera is with 83.7° FOV without distortion.
- **Leading Auto Focus Technology:** Fast, accurate and stable auto focusing technology.
- **Low Noise and High SNR:** Super high SNR image is achieved with low noise CMOS. Advanced 2D/3D noise reduction technology further reduces the noise while ensuring high image clarity.
- **Multiple video output interfaces:** HDMI, SDI, CVBS, LAN, NDI-HX(optional), WiFi (optional); Simultaneously output audio and video signal via HDMI, SDI and LAN; SDI output could up to 100M with 1080P@60fps.
- **Multiple Audio/Video Compression Standards:** Support H.264/H.265 video compression, up to 1920x1080 resolution 60fps; support AAC, MP3 and G.711A audio compression, 8000, 16000, 32000, 44100, 48000 sampling frequency.

- **Video/Audio record and store:** USB2.0 interface supports U disk storage, real-time record and store
- **Built-in Gravity Sensor:** Support PTZ auto-flip function and easy installation.
- **Multiple Network Protocol:** Support ONVIF, GB/T28181, RTSP, RTMP protocols; Support RTMP push mode, easy to be connected to streaming server (Wowza, FMS); Support RTP multicast mode; Support network full command VISCA control protocol.
- **Control Interface:** RS422 compatible with RS485, RS232-IN, RS232-OUT, RS232 (cascade connection)
- **Multiple Control Protocol:** Support VISCA, PELCO-D, PELCO-P protocols; Support automatic identification protocols.
- **Quiet Pan / Tilt Movement:** With high accuracy step driving motor, camera can pan / tilt extremely quiet and smooth.
- **Multiple Presets:** Up to 255 presets (10 presets via remote control).
- **IR / Wireless Remote Control:** Users can choose IR remote control or wireless remote control according to different conditions. 2.4G wireless remote control is not affected by the angle, distance or infrared interference. Far-end-control is also available.
- **Multiple Application:** Online-education, Lecture Capture, Webcasting, Video conferencing, Tele-medicine, Unified Communication, Emergency command and control systems, etc.

Model

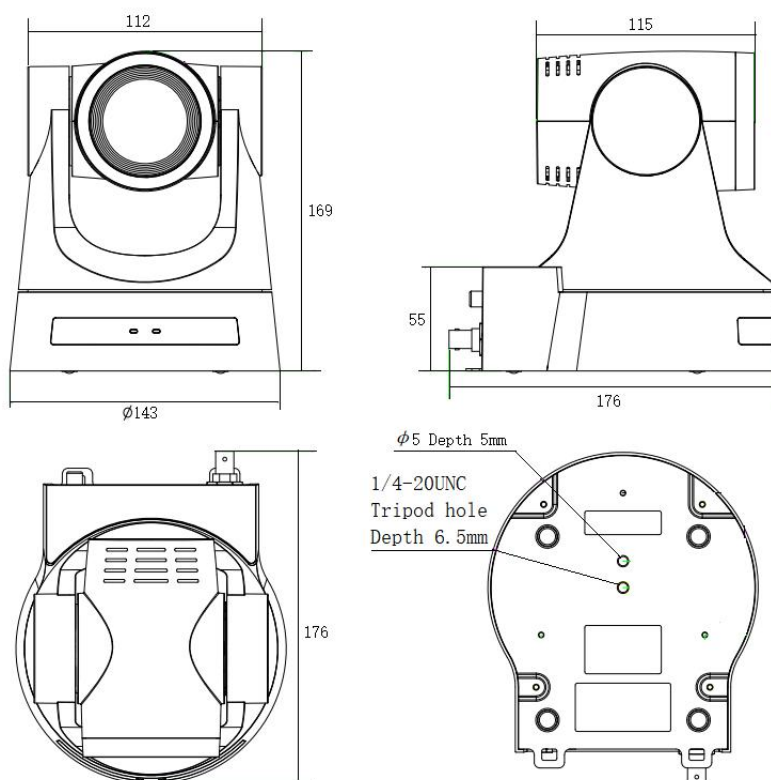


Technical Parameter

Model	5X	10X	12X	20X	30X
Camera Parameter					
Optical Zoom	5X f = 3.1-15.5mm	10X f = 4.34-41.6mm	12X f = 3.9-46.8mm	20X f = 5.5-110mm	30X f = 4.3-129mm
Sensor	1/2.8 inch high quality HD CMOS sensor				
Effective Pixels	16: 9, 2.07 megapixel				
Video Format	HDMI/SDI Output: 1080P60,1080P50,1080I60,1080I50,1080P30,1080P25, 720P60, 720P50 CVBS Output: 576i, 480i				
View Angle	83.7°(W) 20°(T)	70°(W) 7.2°(T)	72.5°(W) 6.3°(T)	54.7° (W) 3.3°(T)	65.1°(W) 2.34°(T)
AV	F1.8 – F2.8	F1.85 – F2.63	F1.8 – F2.4	F1.6 ~ F3.5	F1.6 – F4.7
Digital Zoom	10X				
Minimum Illumination	1Lux (F1.8, AGC ON)				
DNR	2D & 3D DNR				
White Balance	Auto / Manual/ One Push/ Specify color temperature (range: 2400k-7100k)				
Focus	Auto/Manual/One Push Focus				
Exposure Mode	Auto/Manual/Shutter Priority, Aperture Priority, Brightness Priority				
Iris	Auto/Manual				
Shutter Speed	1/25~1/10000				
BLC	ON/OFF				
WDR	OFF/ Dynamic level adjustment				
Video Adjustment	Brightness, Color, Saturation, Contrast, Sharpness, B/W mode, Gamma curve				
SNR	> 50 dB				
Input/output Interface					
Video Interfaces	EP580-05/10/12/20/30-ST Model: HDMI, SDI, LAN(POE), CVBS, RS232-IN/OUT, RS422 compatible with RS485, A-IN, USB2.0(USB flash drive only), Rotary DIP switch, DC 12V port, Power Switch, NDI-HX (optional)				
Video Output	HDMI, SDI, LAN, CVBS, NDI-HX (optional)				
Video Stream	Dual stream output				
Video Compression Format	LAN Interface: H.265, H.264, Dual stream output				
Audio Input Interface	Double track 3.5mm linear input				
Audio Output Interface	HDMI, SDI, LAN, WiFi(optional)				
Audio Compression Format	AAC/MP3/G.711A				
Control Interface	RS232 (IN/OUT), RS422 compatible with RS485				
Control Protocol	VISCA/Pelco-D/Pelco-P, Baud Rate: 115200/38400/9600/4800/2400bps				
Power Interface	HEC3800 outlet (DC12V)				
Input Voltage	DC12V±10%				

Input Current	Maximum: 1A
Power Consumption	Maximum: 12W
Network Protocols	TCP/IP, RTSP, RTMP, ONVIF, GB/T28181; Support Network VISCA control protocol; Support remote upgrade, reboot and reset
USB Communication	UVC (Video), UAC (UAC)
PTZ Parameter	
Pan/Tilt Rotation	±170°, -30° ~ +90°
Pan Control Speed	0.1 - 50°/sec
Tilt Control Speed	0.1- 30°/sec
Preset Speed	Pan: 60°/sec, Tilt: 30°/sec
Preset Number	255 presets (10 presets via remote control)
Other Parameter	
Stored Temperature	-10°C~+60°C
Stored Humidity	20%~95%
Working Temperature	-10°C~+50°C
Working Humidity	20%~80%
Dimension	143mm×176mm×169mm
Weight	1.3KG
Application	Indoor
Accessory	
Package	Power Supply, RS232 Control Cable, IR Remote Control, User Manual, Warranty Card
Optional Accessories	Ceiling / wall Mount (Extra Cost)

Dimension (unit: mm)



Enrico Pietrosanti
 Via Remo La Valle, 105 - 00054 Fiumicino - Roma (RM)
 Tel. 06 916505 771 - Mob. 340 6938456
 info@enicopietrosanti.com - Fax 06 233 233 289